



The multifunctional tool  
for touchless access control  
and time and attendance systems

WE ARE THE ONLY COMPANY YET TO ADD FURTHER TECHNOLOGIES TO RFID:

**BLUETOOTH, WIFI, GPRS** and **ZIGBEE**.

Thus arose **SMART RFID** – a powerful tool developed specially for those who want to gain a powerful competitive advantage.

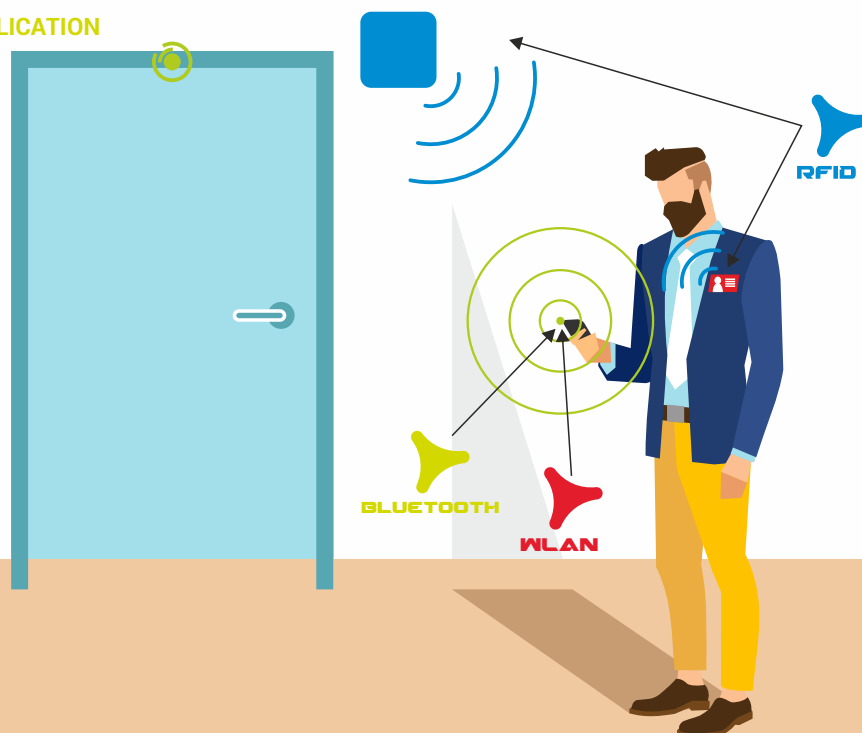
# ACCESS CONTROL AND TIME AND ATTENDANCE SYSTEMS MANUAL

## TECHNOLOGIES USED

SMART RFID allows to create access control and time attendance systems built on two technologies at once: RFID and Bluetooth. As a result, the access management, employees identification and people and goods flow monitoring may be even more effective.

Access can be granted with:

- TAGS (AS CARDS, LEASHES OR PENDANTS)
- SMARTPHONE WITH APPLICATION

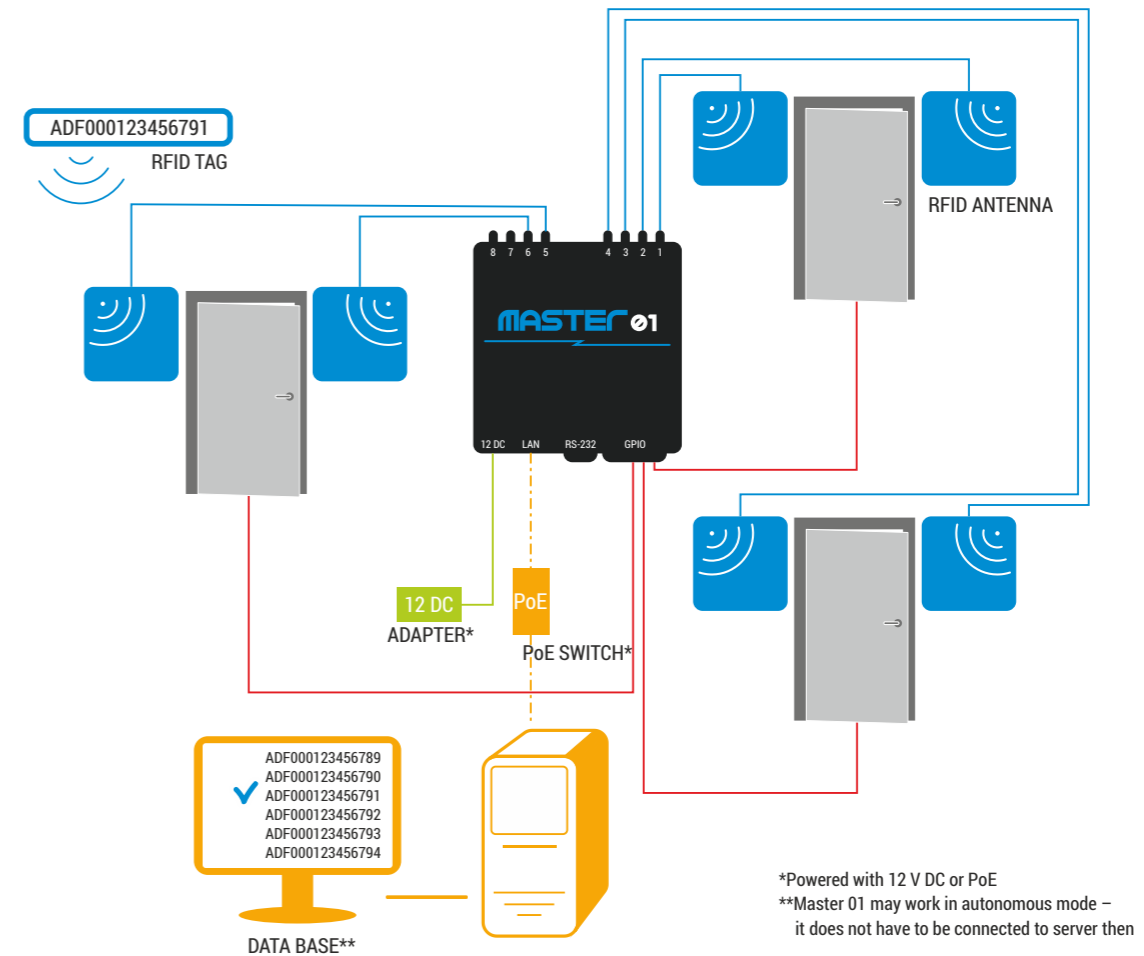


# HOW DOES IT WORK

## 7 STEPS TO SMART RFID

<b>DESIGNING</b>	<b>01</b>	Smart Technology Group experts will analyze your needs and present you the suitable implementation plan.
The assembly of anntenas, RFID readers (Master 01 reader may be connected to 8 antenas) and security gates.	<b>02</b>	<b>INSTALLATION</b>
<b>INTEGRATION</b>	<b>03</b>	Our SMART RFID tools will smoothly integrate with your contactless systems.
Defining the access for users, calibrating the read range of tags/smartphones, granting qualifications for moving/transporting company's products.	<b>04</b>	<b>CONFIGURATION</b>
<b>GOODS LABELLING</b>	<b>05</b>	Marking company's products with stickers including tag.
Giving identification cards or leashes to employees, sharing mobile application.	<b>06</b>	<b>DISTRIBUTION</b>
<b>LAUNCHING SMART RFID</b>	<b>07</b>	

## CONNECTION SCHEME

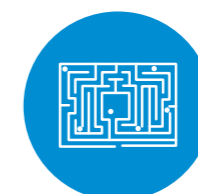


## AREAS OF USE



### EMPLOYEES IDENTIFICATION

Precise identification in time attendance systems as well as in every building zone, open spaces or in production hall.



### PEOPLE & GOODS FLOW CONTROL

Integrated communication in real time. Allows to create complex security system, including tracking the movement direction of people's, vehicles or goods.



### ANTI-THEFT PROTECTION

Security gates compare in real time connection between person's identification card and label placed on product. If there is none, then alarm is launched.

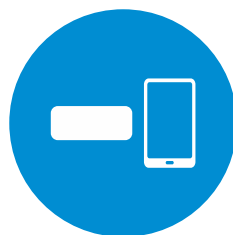
## EQUIPMENT:



RFID UHF READER  
MASTER 01



RFID UHF ANTENNA



RFID UHF TAGS (cards,  
leashes, pendants) OR  
MOBILE APPLICATION



CENTRAL UNIT (OPTIONALLY)

## THE SMART RFID ADVANTAGES:

- 4 relay outlets to direct control of electropick or gate.
- Ethernet (UDP, TCP), RS-232, RS-485, Wiegand.
- Powered with 12 V DC or Power over Ethernet.
- 1 reader works with 8 antennas: simultaneous control of 4 door/gates.
- Tag/smartphone read from distance calibrated by administrator (up to 10 meters).
- Tag works even when hidden in pocket, bag or under clothes.
- Employees are identified even when door/gate is broken (key issue during evacuation).
- Latitude in granting or modifying the level of access control (also in real time).

### WE GIVE YOU MORE THAN THE REST

We are a **Swiss-Polish technology company** which designs and produces innovative technological solutions for various industries, including parking and access control.

### WE OFFER FRIENDLY SOLUTIONS FOR YOUR BRAND

We focus on versatility, ease of use and integration, economy, and reliability. Only our readers combine **advanced technologies**, giving you unlimited possibilities for integration and use.

### WE BRING TOGETHER THE BEST IN TECHNOLOGY

Our team is comprised of **engineers with experience** in Polish, German, French, and Swiss companies, research institutes, and universities.

Contact us:



Smart Technology Group Sp. z o.o.  
ul. Mackiewiczza 19/80  
31-214 Kraków, Poland  
NIP: 9452184196  
www.smart-tg.com

Office Poland  
ul. Nuszkiewiczza 17/22  
31-422 Kraków, Poland  
biuro@smart-tg.pl  
www.smart-tg.pl

Office Switzerland  
Suurstoffi 12A  
6343 Rotkreuz, Switzerland  
office@smart-tg.com  
www.smart-tg.com



www.smart-tg.com